

FISHER & PAYKEL

REFRIGERATOR FREEZER

RF170WDRJX5 FP US

PRODUCT CODE: 25951-A

PARTS MANUAL

US CA

INTRODUCTION

BRAND	VOLTAGE	MODEL	PRODUCT CODE
Fisher & Paykel	110-120 60Hz	RF170WDRJX5 FP US	25951-A

MODELS

- ▮ The models covered by this manual are listed on the front cover.
- ▮ The information detailed in this manual is subject to change without notice. The latest version is indicated by the reprint date and replaces any earlier editions.

KIT PARTS

Where a part number is shown against the descriptions for kit components, they are also available as separate items. In addition, some parts may be supplied with these kits that are not available as separate items, and are therefore either not listed, or a part number is not shown against the part description in this manual.

PARTS LIST KEY

NI	As a part reference, indicates the part is not illustrated on the diagram.
NOT USED	As a part number, indicates the diagram part reference is not used in this manual.
NS	As a part number, indicates the part is not servicable.

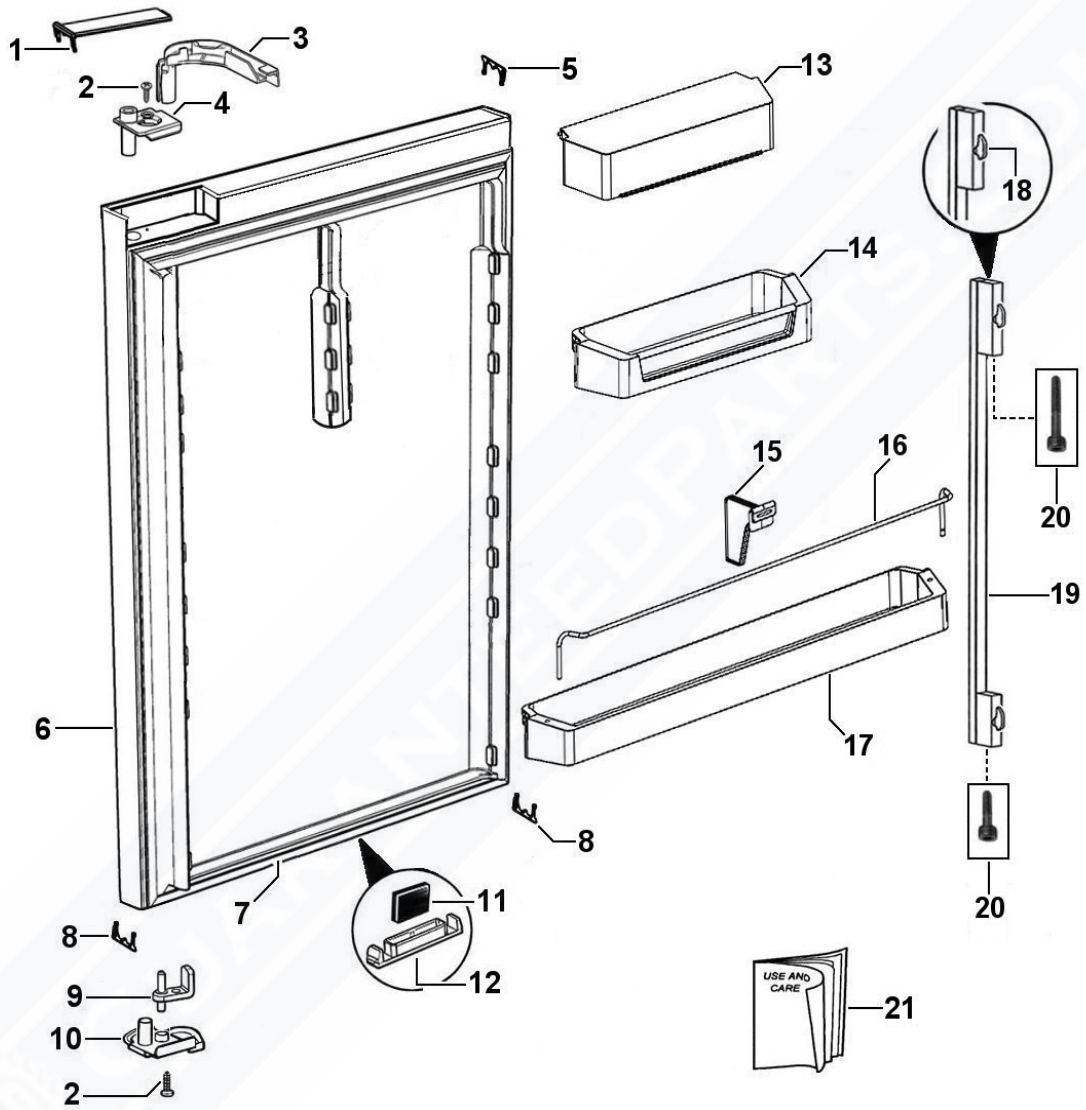
CONTENTS

INTRODUCTION	1
DOOR COMPONENTS	3
FC DRAWER COMPONENTS	5
CABINET COMPONENTS	7
CABINET INTERIOR COMPONENTS	11
ICEMAKER & ICE BIN COMPONENTS	13
EVAPORATOR COMPONENTS	15
DUCT COVER COMPONENTS	17
TERMINAL, PLUGS & SOCKETS	19
COMPRESSOR AREA COMPONENTS	21

GUARANTEEDPARTS.COM



DOOR COMPONENTS



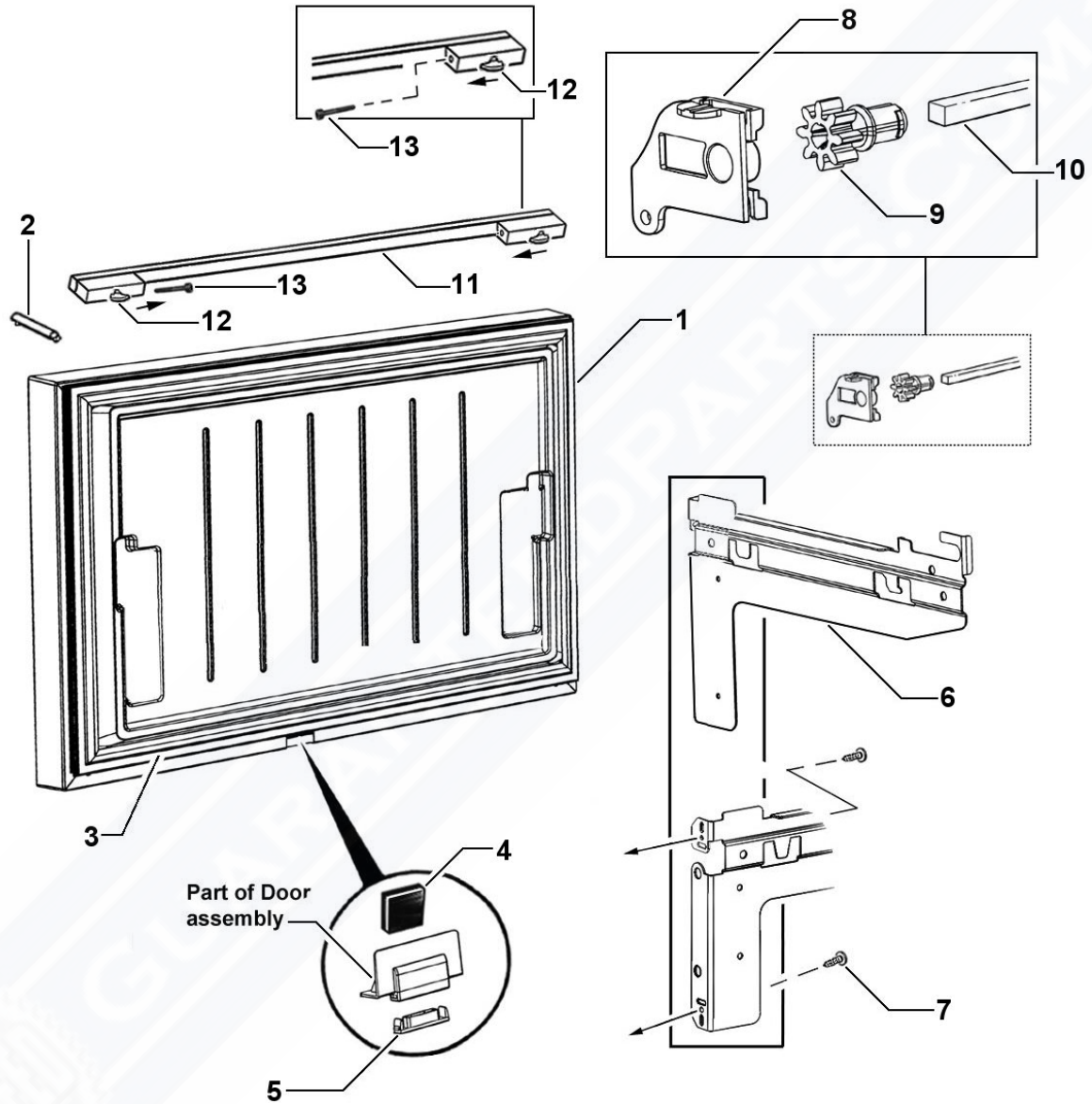
DWG002846 AUGUST 2012

DWG 002846

DOOR COMPONENTS

REFERENCE	PART NUMBER	PART DESCRIPTION
1	820801	COVER DOOR HINGE RH
2	817825P	SCREW #8X22 WAFER PH ST TV (PKT 10)
3	820715	GUIDE TUBE SERVICE DOOR RH
4	820845	BEARING HINGE WATER RH
5	860419	TRIM DOOR DESIGNER X
6	848354P	DOOR PC 790X1052 F SX2 W RH
	Includes 883315	MAGNET DOOR SWITCH ST4
7	819822P	GASKET FRAME E522B PC
8	813926	TRIM CORNER DOOR FLAT
9	814537	DOOR STOP ASSY
10	819650	CLOSING HOOK DR STOP GR RH
11	883315	MAGNET DOOR SWITCH ST4
12	813928	COVER MAGNET DOOR FLAT
13	821467	COVER SHELF RF522W
14	821637	SHELF DR RF522W ASSY
	Includes	LENS SHELF DR RF522W
	Includes	TRIM SHELF DOOR RF522W
15	821805	DIVIDER BOTTLE 522B
16	821465	RAIL SHELF DOOR RF522W
17	821630	SHELF DR BTM RF522W
18	860795P	BOSS HANDLE FLAT SPARES KIT
19	820584	HANDLE D3 642 RF ASSY BRUSHED
	Includes 819646	SCREW M5X40 CAP (2)
20	819646P	SCREW M5X40 CAP (PKT 10)
21	839480	BOOKLET USE & CARE USA/CA

FC DRAWER COMPONENTS



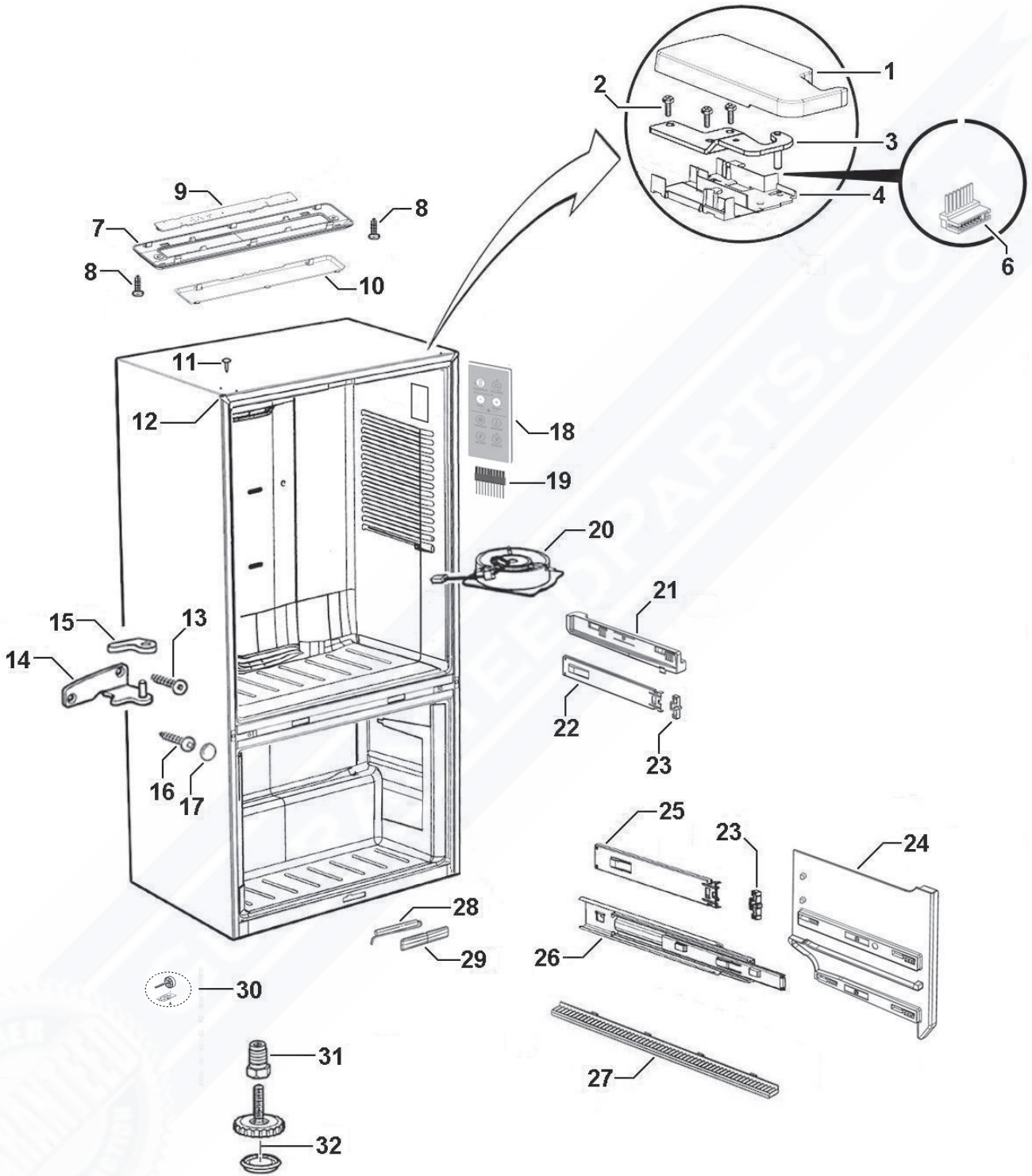
DWG002847 AUGUST 2012

DWG 002847

FC DRAWER COMPONENTS

REFERENCE	PART NUMBER	PART DESCRIPTION
1	849315P	DRAWER FC 790X605 F SX2 P
	Includes 813928	COVER MAGNET DOOR FLAT
	Includes 883315	MAGNET DOOR SWITCH ST4
	Includes 860795	BOSS HANDLE FLAT (2)
2	813926	TRIM CORNER DOOR FLAT
3	819821P	GASKET ASSY E522 B FC
4	883315	MAGNET DOOR SWITCH ST4
5	813928	COVER MAGNET DOOR FLAT
6	837233	BRACKET DOOR FC RH
	837234	BRACKET DOOR FC LH
7	817825P	SCREW 8X22 WAFER PH ST TV (PKT 10)
8	837010	BRACKET MOUNT PINION FC RH
	837011	BRACKET MOUNT PINION FC LH
9	838502P	PINION ANTIRACK FC (2)
10	821407	BAR ANTIRACK RF522W
11	821873	HANDLE D3 710 FC ASSY
	Includes 819646	SCREW M5X40 CAP (2)
12	860795P	BOSS HANDLE FLAT PKD
13	819646P	SCREW M5X40 CAP (PKT 10)

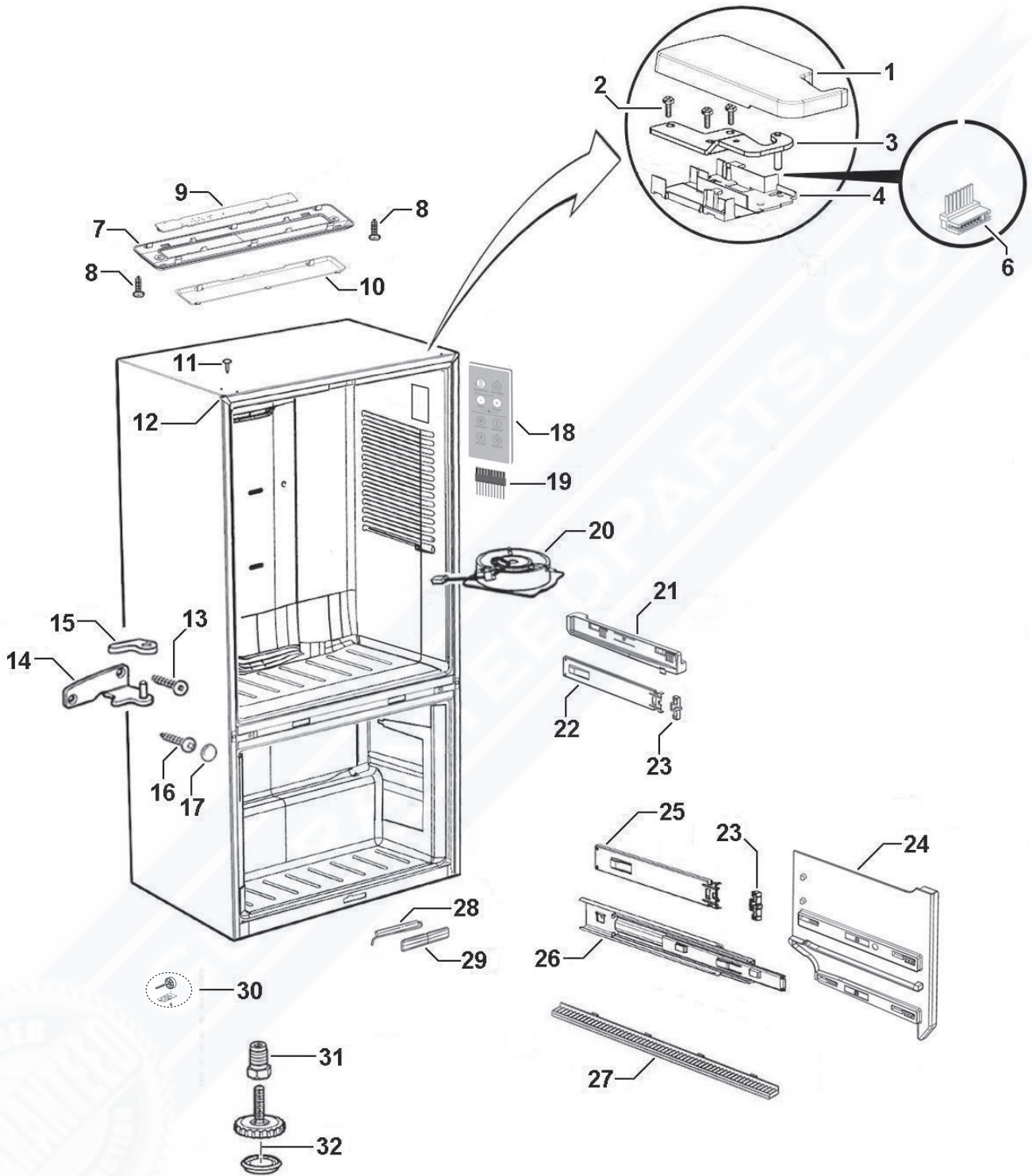
CABINET COMPONENTS



CABINET COMPONENTS

REFERENCE	PART NUMBER	PART DESCRIPTION
1	820647	COVER HINGE TOP IW RH
2	817818P	SCREW M5X20 HEX PH ST TV (PKT 10)
3	820652	BRACKET HINGE IW RH ASSY
4	821943	SUPPORT HINGE TOP RH
6	873279	CONNECTOR RAST 7234-008-500
7	820736	HOUSING FRONT LED PC
8	817816P	SCREW 6 X12 AB TRUSS PH ST TV (PKT 10)
9	845096P	MOD LAMP AS CEILING SVC
10	820737	WINDOW LED PC
11	883948P	PLUG TAPPED HOLE SILVER (PKT 3)
12	883951	TRIM CORNER SILVER 680/790
13	880656P	SCREW 10GX25CSK SQ SS (PKT 10)
14	881288	BRACKET H-RAIL HINGE RH PLATED
15	883988P	CAP DOOR CLOSING RH HGE BRKT
16	817822P	SCREW #10X19 AB #2 SQ TV (PKT 10)
17	883953P	CAP SCREW CROSS RAIL SILVER
	880595P	CAP SCREW CROSS RAIL WHT PKD
18	821286P	MOD DISP AS U2 INT 8 BUT SVC
19	838437	HARNESS DISPLAY SPARES
20	848320P	PC 3W FAN ASSY JST/DCT
	Includes	FAN HOUSING PC ASSY
	Includes	DUCT JUNCTION
	Includes	CONNECTOR IDC UP2 (2)
	Includes	LABEL WARNING 12 VOLT DC
	Includes	SHEET INSTRUCTION PC FAN ASSY
21	836541	RETAINER SLIDE PC 790 RH
	836542	RETAINER SLIDE PC 790 LH
22	836700	SLIDE 305 RH ASSEMBLY RC
	Includes 836520P	CLIP SLIDE
	836701	SLIDE 305 LH ASSEMBLY
	Includes 836520P	CLIP SLIDE
23	836520P	CLIP SLIDE (PKT 2)

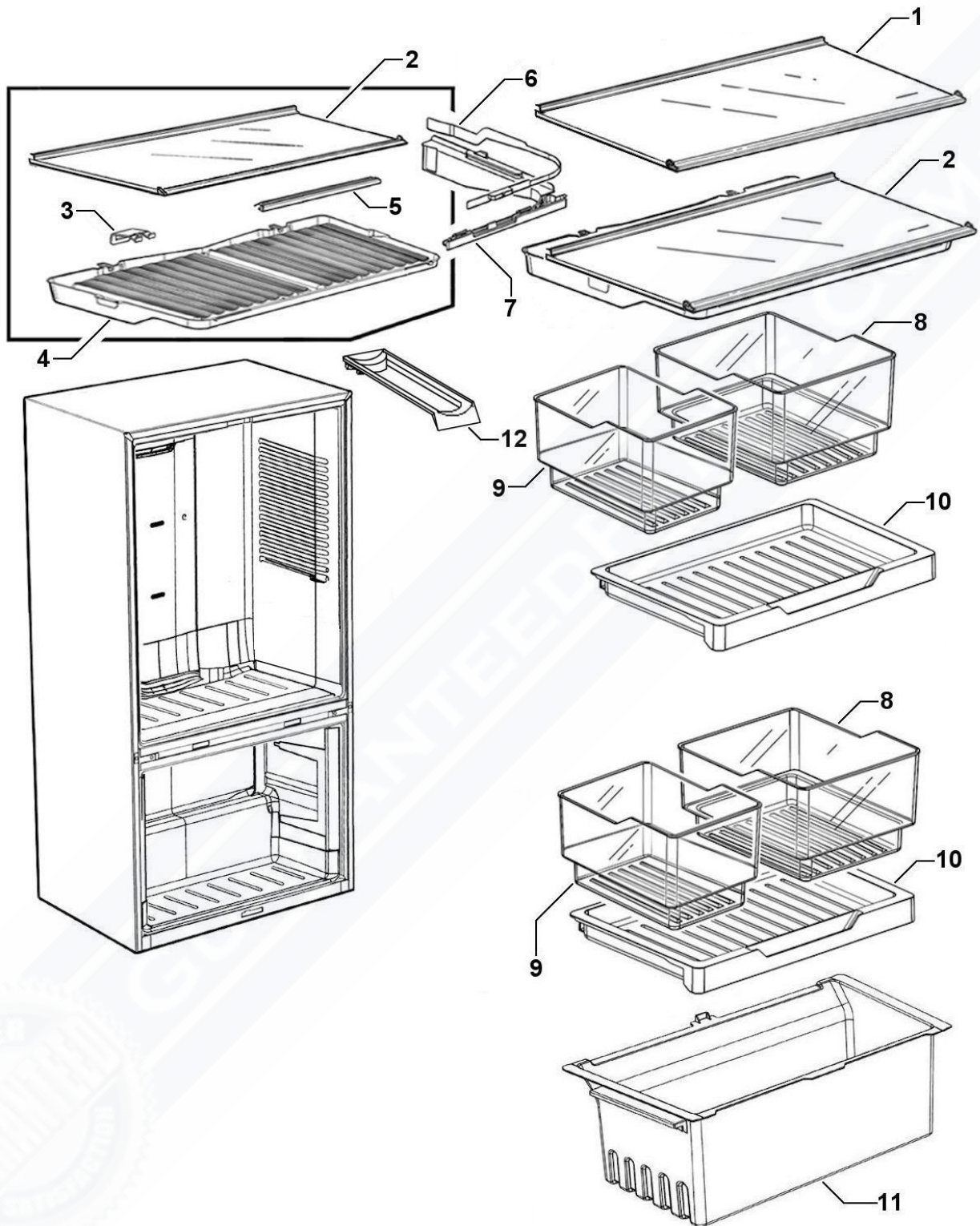
CABINET COMPONENTS



CABINET COMPONENTS

REFERENCE	PART NUMBER	PART DESCRIPTION
24	821405	RETAINER SLIDE FC RF522W RH
	821406	RETAINER SLIDE FC RF522W LH
25	836702	SLIDE 355 RH ASSY RC
	Includes 836520P	CLIP SLIDE
	836703	SLIDE 355 LH ASSY RC
	Includes 836520P	CLIP SLIDE
26	838200	SLIDE DRAWER FC MAIN RH
	838199	SLIDE DRAWER FC MAIN LH
27	837047	TRACK ANTI RACKING FC
28	814443P	SWITCH REED FIELD FIX KIT ST4
	Includes	HEATSHRINK 1/8" MW ADHESIVE LINED
29	884011	COVER REED SWITCH ST4 SILVER
	881420	COVER REED SWITCH ST4 WHITE
30	847316P	RETAINER WHEEL STEEL KIT
	Includes	RETAINER WHEEL STEEL
	Includes	SCREW 8-32X8 TY T PAN PH TV
	Includes	ROLLER FOOT FRONT
	Includes	PIN ROLLER PLATED
31	813481	BOLT BLIND END HINGE BRACKET
32	818535	FOOT LEVELLING ASSEMBLY RC
	Includes	WHEEL LEVELLING FOOT ASSY
	Includes	BASE LEVELLING FOOT

CABINET INTERIOR COMPONENTS



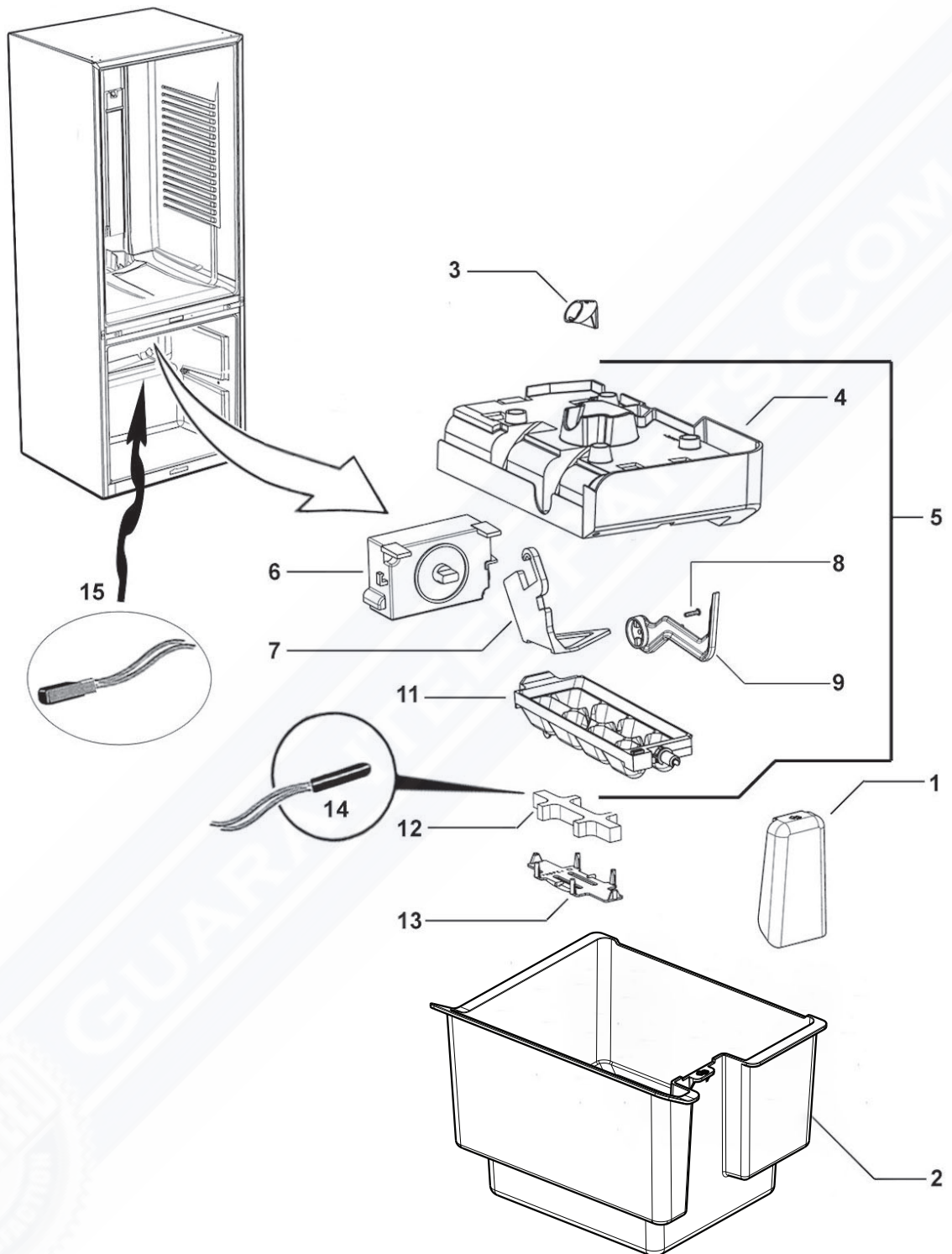
DWG002842 AUGUST 2012

DWG 002842

CABINET INTERIOR COMPONENTS

REFERENCE	PART NUMBER	PART DESCRIPTION
1	836751P	SHELF GLASS PC 790 ASSY SC
	Includes	SHELF GLASS PC 790
	Includes	TRIM SHELF PC 790 SC
	Includes	STIFFENER SHELF PC 790 SC
	Includes 836569	PLUG STIFFENER SHELF RH
	Includes 836570	PLUG STIFFENER SHELF LH
	Includes 836567	PLUG TRIM SHELF RH
	Includes 836568	PLUG TRIM SHELF LH
2	836728P	SHELF GLASS HCL 790B ASSY SC
	Includes	SHELF GLASS PC 790
	Includes	TRIM SHELF HCL 790 SC
	Includes	STIFFENER SHELF PC 790 SC
	Includes 836567	PLUG TRIM SHELF RH
	Includes 836568	PLUG TRIM SHELF LH
	Includes 836569	PLUG STIFFENER SHELF RH
	Includes 836570	PLUG STIFFENER SHELF LH
	Includes 819179	RETAINER HCL FRONT 790
	Includes 881268	BRACKET HCL SUPPORT B GL SH (2)
	Includes 836574	LID HUMIDITY CONTROL 790B
	Includes 836631	SLIDE CONTROL HUMIDITY RH
	Includes 836633	SLIDE CONTROL HUMIDITY LH
	Includes 836632	GUIDE CONTROL HUMIDITY RH
	Includes 836634	GUIDE CONTROL HUMIDITY LH
3	881268	BRACKET HCL SUPPORT B GL SH
4	836574	LID HUMIDITY CONTROL 790B
5	836582	RETAINER HCL FRONT 790
6	836631	SLIDE CONTROL HUMIDITY RH
	836633	SLIDE CONTROL HUMIDITY LH
7	836632	GUIDE CONTROL HUMIDITY RH
	836634	GUIDE CONTROL HUMIDITY LH
8	836524	BIN SMALL 790
9	836522	BIN SMALL
10	821142	TRAY 790
11	821404	BIN FC RF522W
12	860593	BOTTLE HOLDER SINGLE

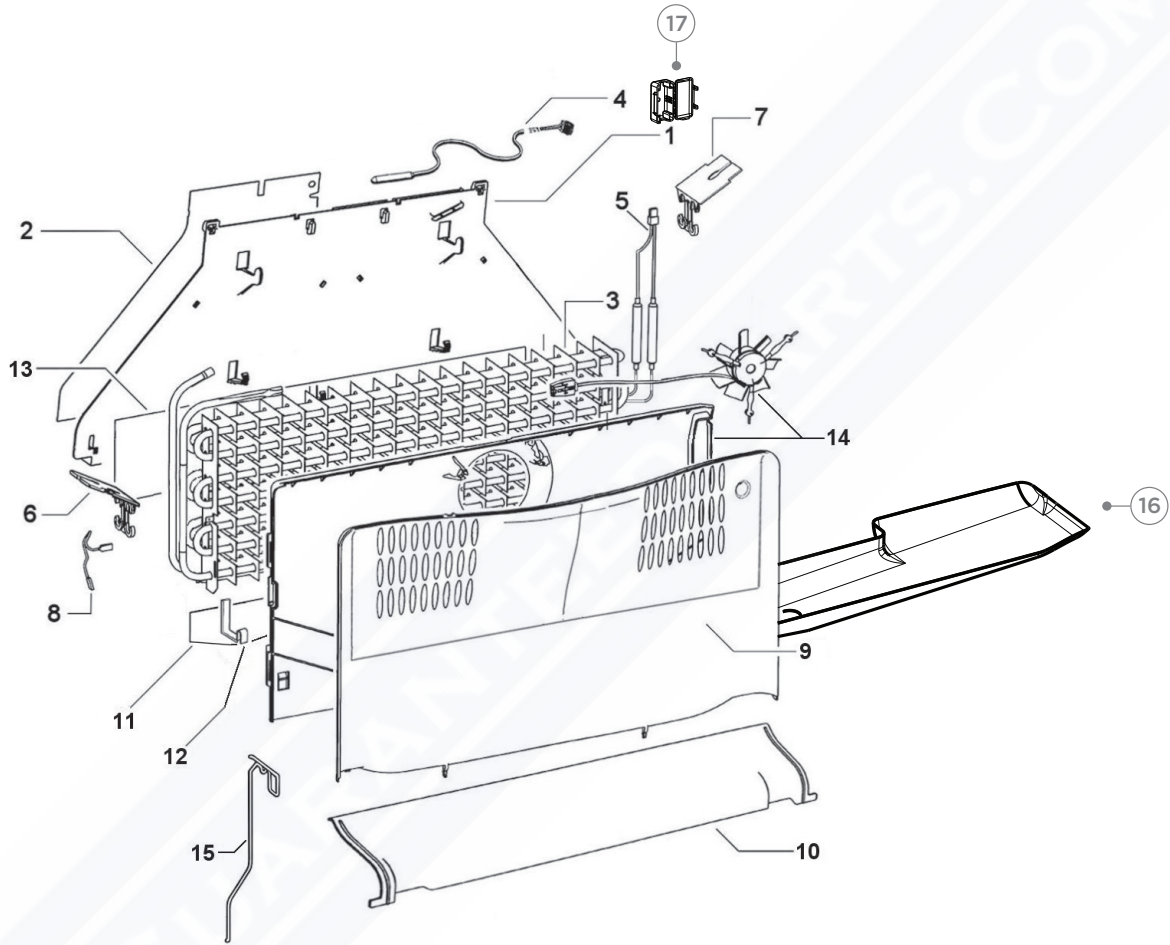
ICEMAKER & ICE BIN COMPONENTS



ICEMAKER & ICE BIN COMPONENTS

REFERENCE	PART NUMBER	PART DESCRIPTION
1	836929	SCOOP ICE
2	836886	BIN AND SCOOP ASSEMBLY
	Includes 836928	BIN ICE
	Includes 836929	SCOOP
3	836936	SPIGOT FILL ICE MAKER
4	836915	HOUSING ICE MAKER
5	820833P	ICEMAKER ASSEMBLY LARGE
	Includes 820841	TRAY ICE AUTO LARGE
	Includes 836910	LEVER GEAR BOX ICE
	Includes 836915	HOUSING ICE MAKER
	Includes 836934	GEARBOX ICE MAKER
	Includes 836948	SCREW 6X1/2 PAN PH SS
6	836934	GEARBOX ICE MAKER
7	836912	LEVER BIN DETECT
8	836948P	SCREW 6X1/2 PAN PH SS (PKT 10)
9	836910	LEVER GEAR BOX ICE
11	820841	TRAY ICE AUTO LARGE
12	836909	FOAM CLIP SENSOR
13	837180	CLIP SENSOR ICE TRAY
14	321107	ICE MAKER SENSOR LEAD WIRE KIT
	Includes	SENSOR THERMISTOR ICE MAKER
	Includes	CONNECTOR IDC UY2 - 3MS
	Includes	INSTRUCTIONS ICE SENSOR KIT
15	821689P	ICE FILL TUBE HEATER KIT MK2

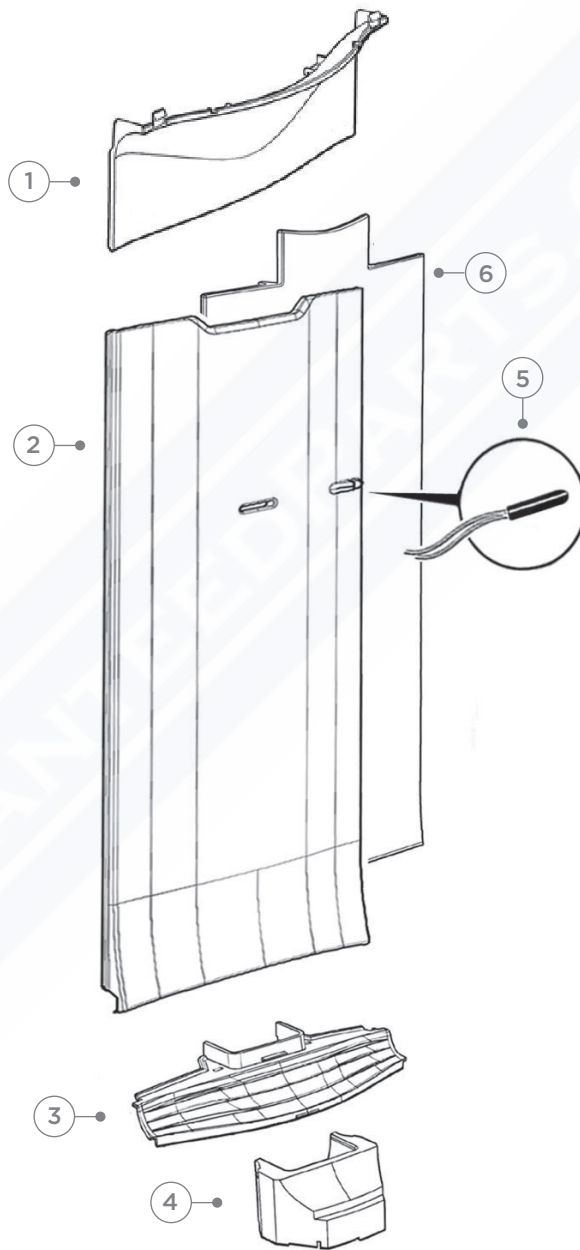
EVAPORATOR COMPONENTS



EVAPORATOR COMPONENTS

REFERENCE	PART NUMBER	PART DESCRIPTION
1	814475	CHASSIS EVAP 790B
2	884315	DEFLECTOR HEAT 790B
3	821072P	EVAP ASSY 790B 120V DP
	Includes	EVAPORATOR FINNED 790 R600A
	Includes 814475	CHASSIS EVAP 790B
	Includes 814713	SHIELD EVAP CHASSIS 790B
	Includes 884315	DEFLECTOR HEAT 790B
	Includes 847025	HEATER DEF DBLE 120V 790
	Includes 820604	CLIP EVAP BAFFLE
	Includes 813992	CLIP ACTIVE SMART BAFFLE
	Includes 820835	CLIP DEFROST HEATER B SHORT (2)
	Includes 814460	HARNESS EARTH 100MM
4	855203P	SENSOR KIT ASSY
	Includes	HEATSHRINK 25MM
	Includes	HARNESS SENSOR PC
	Includes	CONNECTOR BUTT (2)
	Includes	SHEET INSTRUCTN BUTT CONNECTORS
5	847025	HEATER DEF DBLE 120V 790
6	813992	CLIP ACTIVE SMART BAFFLE
7	820604	CLIP EVAP BAFFLE
8	814460	HARNESS EARTH 100MM
9	873395	COVER FAN FC FRONT E790B
10	836594	DUCT RETURN AIR FC 680
11	883783	SHIELD COVER 790B
12	820835	CLIP DEFROST HEATER B SHORT
13	814713	SHIELD EVAP CHASSIS
14	848316P	FAN FC 3W KIT 790 SERIES A TO
	Includes 880279	SHIELD HEATER FC COVER 790
	Includes	COVER FAN FC REAR 790
	Includes	CONNECTOR IDC UP2 (2)
	Includes	LABEL WARNING 12 VOLT DC
	Includes	FAN DC SUSPENDEDC FC ASSY
15	821251	WIRE DRAIN HEATER DOUBLE B
16	884316	SHIELD DRAIN TRAY 790B
17	821745	COVER PLUG TYCO

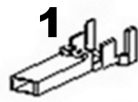
DUCT COVER COMPONENTS



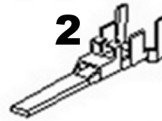
DUCT COVER COMPONENTS

REFERENCE	PART NUMBER	PART DESCRIPTION
1	837405	COVER DUCT PC TOP B
	Includes	TAPE FOAM 440X6X3 S/CELL P3
2	836861	COVER DUCT PC LONG WATER
3	813287	GRILLE PC RETURN AIR B MODEL
4	872823	INSULATION INSERT PID
5	855203P	SENSOR KIT ASSY ACTIVE SMART
	Includes	HEATSHRINK 25MM
	Includes	HARNESS SENSOR PC
	Includes	CONNECTOR BUTT (2)
	Includes	SHEET INSTRUCTN BUTT CONNECTORS
6	873950	INSULATION COVER DUCT LG B

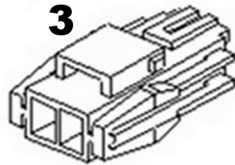
TERMINAL, PLUGS & SOCKETS



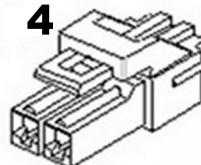
1
JST SOCKET TERMINAL



2
JST PIN TERMINAL



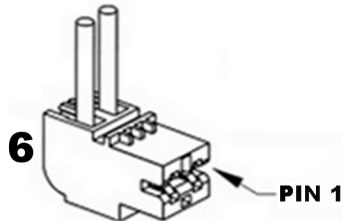
3
JST SOCKET



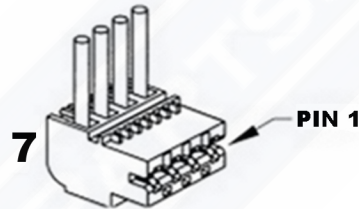
4
JST PLUG



5
JST RETAINER



6
RAST CONNECTOR



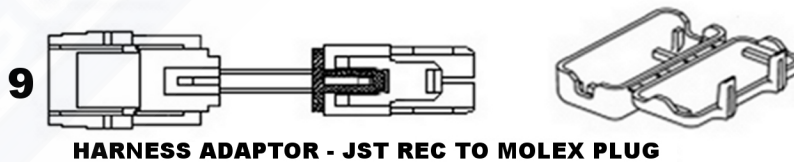
7
RAST CONNECTOR

NOTE THAT IN THE PART NAMES OF THESE CONNECTORS, THE -02- REFERS TO IT BEING A 2 WAY CONNECTOR, AND THE -AB01-(FOR EXAMPLE) REFERS TO THE CODING OF THE CONNECTOR.

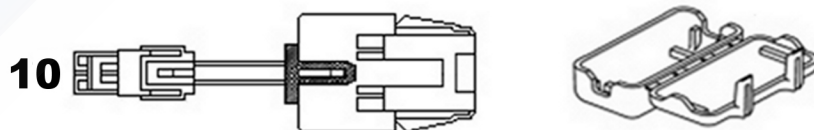


8
RAST CONNECTOR

NOTE: TO MINIMISE THE NUMBER OF SPARE PARTS THAT NEED TO BE CARRIED, THESE CODED CONNECTORS ARE TO BE REPLACED WITH THEIR UNCODED EQUIVALENTS FOR THE 3, 5 AND 6 WAY CONNECTORS USED ON STAGE 4 CABINETS.



9
HARNESS ADAPTOR - JST REC TO MOLEX PLUG



10
HARNESS ADAPTOR - JST PLUG TO MOLEX REC

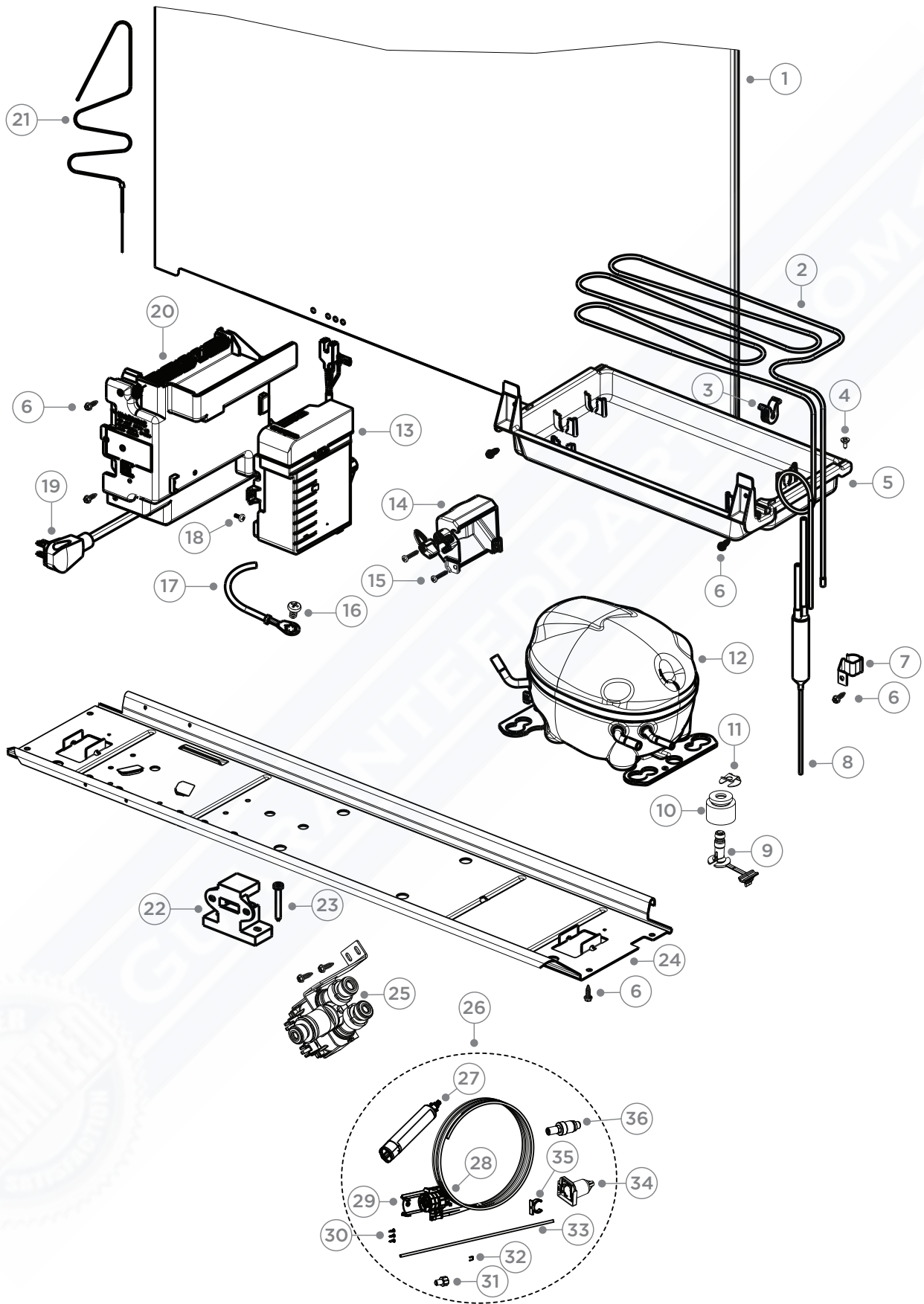
DWG002630 FEBRUARY 2012

TERMINAL, PLUGS & SOCKETS

REFERENCE	PART NUMBER	PART DESCRIPTION	COMMENTS
1	819607P	TERMINAL SYF-01T PKT 10	26/20 AWG
	819608P	TERMINAL SYF-41T PKT 10	20/16 AWG
2	819609P	PIN/TERM SYM-01T PKT 10	26/20 AWG
	819610P	PIN/TERM SYM-41T PKT 10	20/16 AWG
3	819615	JST SOCKET 2PIN YLR-02V	
	819616	JST SOCKET 3PIN YLR-03V	
	819617	JST SOCKET 4PIN YLR-04V	
	819618	JST SOCKET 6PIN YLR-06VF	
	819619	JST SOCKET 8 PIN YLR-08V	
4	819611	JST PLUG 2PIN YLP-02V	
	819612	JST PLUG 4PIN YLP-04V	
	819613	JST PLUG 6PIN YLP-06V	
	819614	JST PLUG 8PIN YLP-08V	
5	819620	RETAINER 2 WAY YLS-02V	
	819621	RETAINER 3 WAY YLS-03V	
6	881588	CONNECTOR RAST 9290-02-AB01	MAINS CORD
	881589	CONNECTOR RAST 9290-02-BA01	DEFROST HEATER
	881590	CONNECTOR RAST 9290-02-EE01	RUN CAPACITOR
7	881591	CONNECTOR RAST 9290-04-EF02	COMPRESSOR CABLE
8	873251	CONNECTOR RAST 7234-003-500	
	873250	CONNECTOR RAST 7234-004-500	
	881135	CONNECTOR RAST 7234-005-500	
	873247	CONNECTOR RAST 7234-006-500	
	873279	CONNECTOR RAST 7234-008-500	
	873248	CONNECTOR RAST 7234-010-500	
	873243	CONNECTOR RAST 7234-012-500	
	881136	CONNECTOR RAST 7234-014-500	
	881137	CONNECTOR RAST 7234-017-502	
9	820687P	ADAPTOR JST REC TO MOLEX KIT	
		Includes 884412	COVER PLUG MOLEX
10	820688P	ADAPTOR JST PLUG TO MOLEX KIT	
		Includes 884412	COVER PLUG MOLEX

NOTE: THE NUMBERS IN THE DESCRIPTION OF THE RAST CONNECTOR DENOTES THE NUMBER OF CONNECTIONS - EXAMPLE: 7234-017-502 =17 WAY CONNECTOR

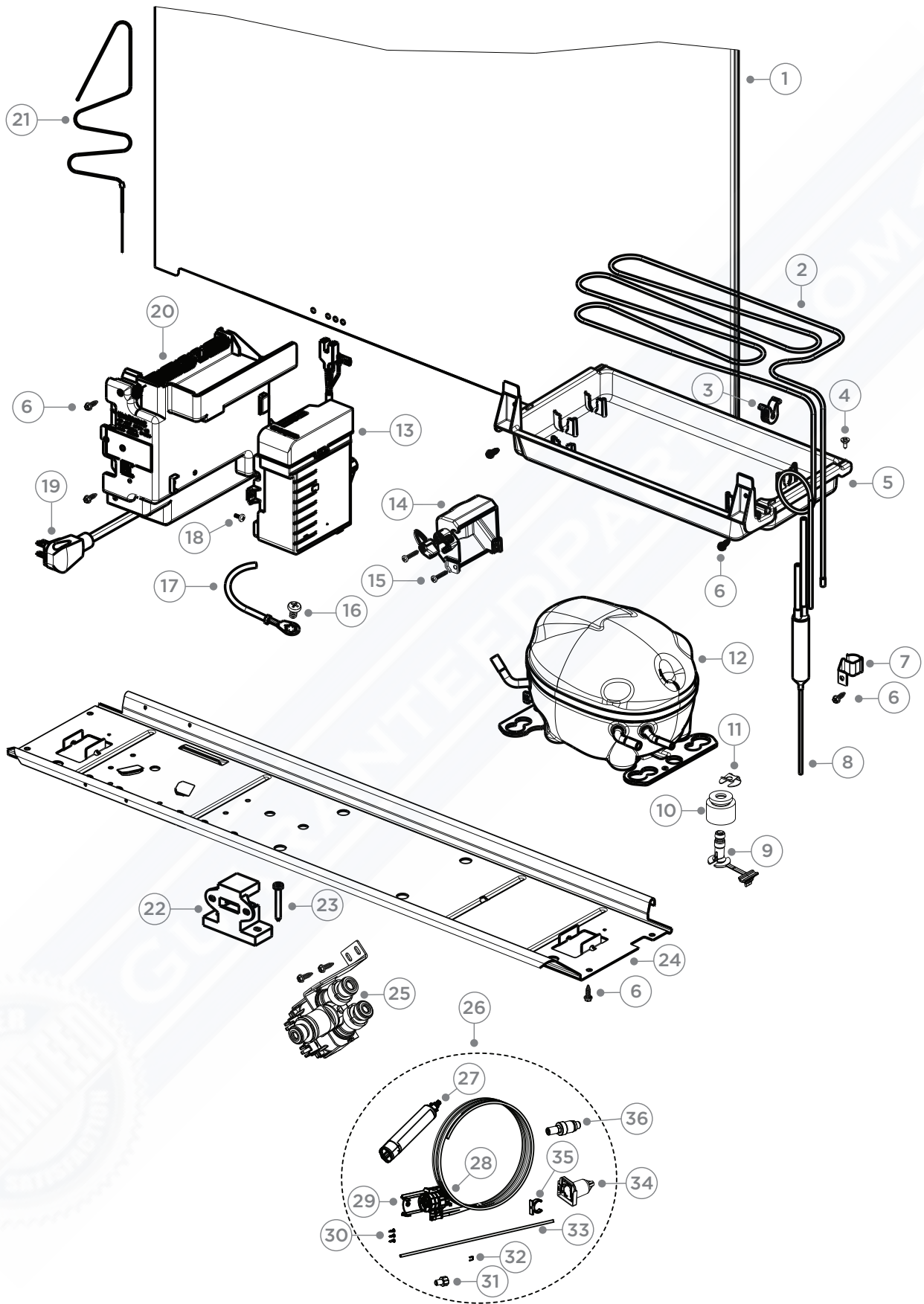
COMPRESSOR AREA COMPONENTS



COMPRESSOR AREA COMPONENTS

REFERENCE	PART NUMBER	PART DESCRIPTION
1	837008	BACK PANEL 900 FORMED
2	819598	TUBE EVAP FORMED 900
3	W10137529P	GROMMET-CONDENSER PKT10
4	815236P	SCREW #12X1/2 CSK PH TV (PKT 10)
5	851186	TRAY EVAP FLAT
6	817834P	SCREW #8X16 HEX (PKT 10)
7	839481	CLIP DRIER
8	814843P	FILTER DRIER LONG TAIL XH9 12 GRM
9	841291P	POST COMP MTG 26MM PKT X4
10	843824P	GROMMET 26MM KIT
	includes	POST COMPR MNTG 26MM (4)
	includes	GROMMET COMPR MTG 26MM (4)
	includes	CLIP FOOT COMPRESSOR (4)
11	855270P	CLIP FOOT COMPRESSOR (PKT 4)
12	207432P	COMPR PKD EMB VESD9CEVO
	includes	COMPR EMB VESD9CEVO
	includes 207310	COVER PROTECTOR VEM
	includes 207313	SCREW INVERTER VEM (4)
	includes	FILTER PREBRAZED LONG TAIL
	includes	POST COMPR MNTG 26MM (4)
	includes	GROMMET COMPR MTG 26MM (4)
	includes	CLIP FOOT COMPRESSOR (4)
	includes	PIN LOCKING COMP (4)
13	207437P	INVERT PKD VESD9CEVO 115V FA
14	207310	COVER PROTECTOR VEM
15	207313P	SCREW INVERTER VEM (PKT10)
16	817828P	SCREW 8-32X8 TY T PAN PH TV (PKT 10)
17	863228	HARNESS MOD VCC UL EMB
18	817823P	SCREW 6-20X12 PAN PH TV EMBRA (PKT 10)
19	837802	CORD SET USA MODEL
20	851578P	MOD CTRL VES AS51 120-230V SVC
21	849697	SUCT CAP ASSY BENT 790B 900B
22	880911	BRACKET STABILITY ASSY
23	815267P	SCREW #10X40 TAB PAN PH STS TV (PKT 10)
24	837028	TRAY COMP MOUNTING 900

COMPRESSOR AREA COMPONENTS



COMPRESSOR AREA COMPONENTS

REFERENCE	PART NUMBER	PART DESCRIPTION
25	820718	VALVE ICE WATER 16 WATT
26	864164	KIT INSTL FILTER WATER FIXATION US
	includes 847200	REFRIGERATOR WATER FILTER
	includes 847480	BRACKET FILTER WATER ASSY
	includes 611812	SCREW ST 10X5/8 MSH PAN HP 430 (3)
	includes 847848	TUBE FILTER WATER 1/4" 500MM
	includes 312198	ADAPTOR TUBE-TAP1/4"-7/16"UNS
	includes 847700	CLIP LOCKING I&W
	includes 847538	BRACKET WALL PLV
	includes 846219	VALVE PRESSURE LIMIT 550KPA
	includes 847312	HEAD FILTER WATER 90 DEG FS
	includes 863600	WATER INLET FIXATION ASSY
27	847200	REFRIGERATOR WATER FILTER
28	847312	HEAD FILTER WATER 90 DEG FS
29	847480	BRACKET FILTER WATER ASSY
30	611812P	SCREW ST 10X5/8 MSH PAN PKT 10
31	312198	ADAPTOR TUBE-TAP1/4"-7/16"UNS
32	847700	CLIP LOCKING I&W
33	847848	TUBE FILTER WATER 1/4" 500MM
34	863600	WATER INLET FIXATION ASSY
35	847538	BRACKET WALL PLV
36	846219	VALVE PRESSURE LIMIT 550KPA